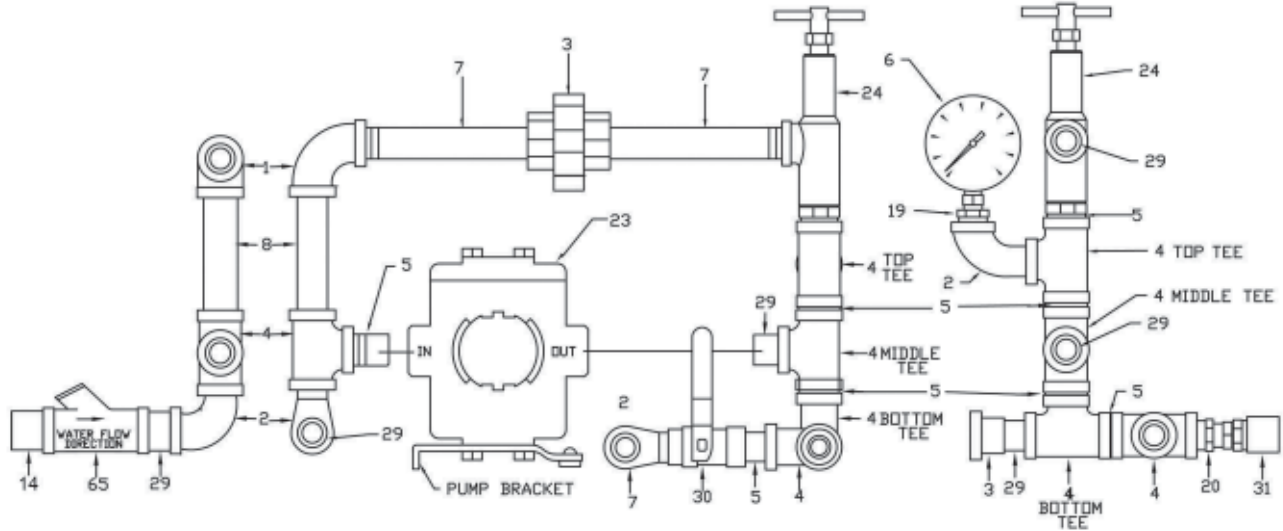


"THE HOSE TESTER"

Pump Assembly

Parts Drawings

1



| ITEM | ASSY. NO. | PART NO. | DESCRIPTION | QTY. |
|------|---------------|----------|--|------|
| 1 | PUMP- ASSY | H-601 | 1/2" NPT 90° ELBOW | 1 |
| 2 | | H-602 | 1/2" NPT 90° STREET ELBOW | 3 |
| 3 | | H-603 | 1/2" NPT UNION | 2 |
| 4 | | H-604 | 1/2" x 1/2" x 1/2" NPT TEE | 5 |
| 5 | | H-605 | 1/2" NPT CLOSE NIPPLE | 4 |
| 6 | | H-606 | 2-1/2" 1000# PSI FILLED GAUGE | 1 |
| 7 | | H-607 | 1/2" x 3" NPT NIPPLE | 3 |
| 8 | | H-608 | 1/2" x 4-1/2" NPT NIPPLE | 1 |
| 14 | | H-610 | 1/2" NPT x 1/2" HOSE BARB | 1 |
| 19 | | H-619 | 1/2" x 1/4" NPT BUSHING | 1 |
| 20 | | H-620 | 1/2" x 3/8" NPT BUSHING | 2 |
| 23 | | H-623 | HYPRO PUMP | 1 |
| 24 | | H-624 | 1/2" PRESSURE RELIEF VALVE | 1 |
| 29 | | H-629 | 1/2" x 1-1/2" NPT NIPPLE | 4 |
| 30 | | H-630 | 1/2" BALL VALVE | 1 |
| 31 | | H-631 | 3/8" QUICK CONNECT (OPTIONAL) | 1 |
| 63 | | H-671 | HANDLE COVER FOR H-630 (ITEM 30) | 1 |
| 65 | | H-676 | 1/2" SWING CHECK VALVE | 1 |
| 66 | | H-677 | 3/8" PLUG (STD - SENT WHEN NO WAND IS ORDERED) | 1 |



PHONE: 330.264.5678 or 800.228.1161 | FAX: 330.264.2944 or 800.531.7335 | www.akronbrass.com
Available in Canada through AKRON MANUFACTURING COMPANY

PHONE: 519.773.8431 | FAX: 519.773.3794

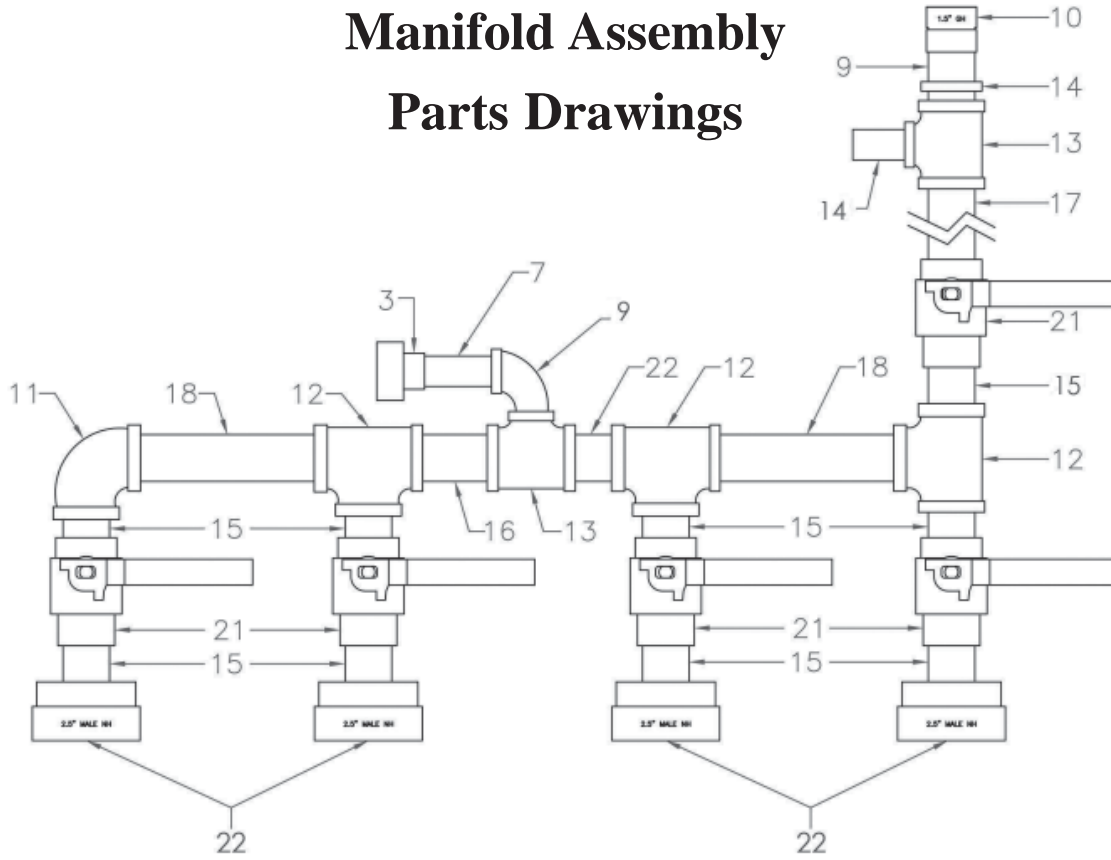
WARRANTY AND DISCLAIMER: We warrant Akron Brass products for a period of five (5) years after purchase against defects in materials or workmanship. Akron Brass will repair or replace product which fails to satisfy this warranty. Repair or replacement shall be at the discretion of Akron Brass. Products must be promptly returned to Akron Brass for warranty service.

We will not be responsible for: wear and tear; any improper installation, use, maintenance or storage; negligence of the owner or user; repair or modification after delivery; damage; failure to follow our instructions or recommendations; or anything else beyond our control. WE MAKE NO WARRANTIES, EXPRESS OR IMPLIED, OTHER THAN THOSE INCLUDED IN THIS WARRANTY STATEMENT, AND WE DISCLAIM ANY IMPLIED WARRANTY OF MERCHANTABILITY OR FITNESS FOR ANY PARTICULAR PURPOSE. Further, we will not be responsible for any consequential, incidental or indirect damage (included, but not limited to, any loss or profits) from any cause whatsoever. No person has authority to change this warranty.

A Premier Farnell Company

2

"THE HOSE TESTER" Manifold Assembly Parts Drawings



| ITEM | ASSY. NO. | PART NO. | DESCRIPTION | QTY. |
|------|-------------|----------|---|------|
| 3 | 15MANI-FOLD | H-603 | 1/2" NPT UNION | 2 |
| 7 | | H-607 | 1/2" x 3" NPT NIPPLE | 4 |
| 9 | | H612 | 1/2" NPT 90° STAINLESS STEEL STREET ELBOW | 1 |
| 10 | | H-710 | 1-1/2" FEM-NH x 1-1/2" MALE-IPT ADAPTER | 1 |
| 11 | | H-701 | 1-1/2" NPT 90° ELBOW | 1 |
| 12 | | H-702 | 1-1/2" x 1-1/2" x 1-1/2" NPT TEE | 3 |
| 13 | | H-703 | 1-1/2" x 1-1/2" x 1/2" NPT TEE | 2 |
| 14 | | H-610 | 1/2" NPT x 1/2" HOSE BARB | 1 |
| 15 | | H-706 | 1-1/2" NPT CLOSE NIPPLE | 10 |
| 16 | | H-708 | 1-1/2" x 2" NPT NIPPLE | 1 |
| 17 | | H-707 | 1-1/2" x 4-1/2" NPT NIPPLE | 1 |
| 18 | | H-705 | 1-1/2" x 5" NPT NIPPLE | 2 |
| 21 | | H-709 | 1-1/2" BALL VALVE (STANDARD PORT) | 1 |
| 22 | | H-713 | 1-1/2" BALL VALVE (FULL PORT) | 4 |
| 39 | | H-711 | 1-1/2" FEM-IPT x 2-1/2" MALE-NH ADAPTER | 4 |



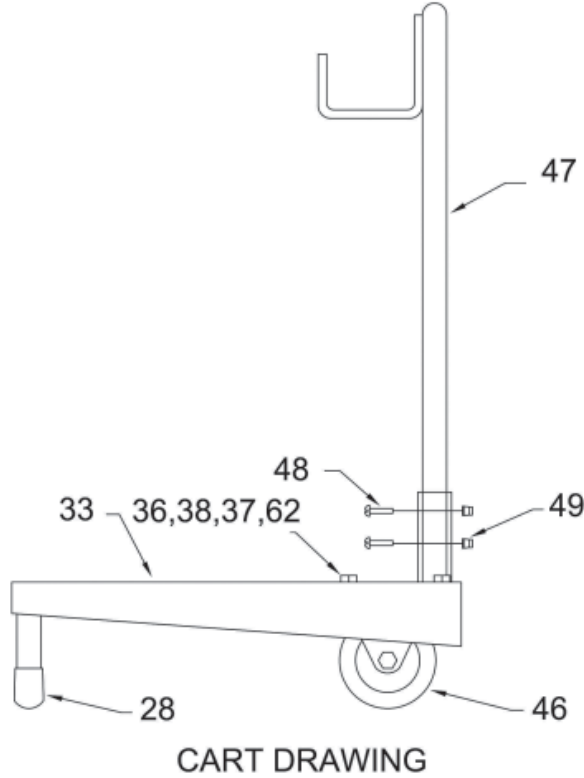
PHONE: 330.264.5678 or 800.228.1161 | FAX: 330.264.2944 or 800.531.7335 | www.akronbrass.com
Available in Canada through AKRON MANUFACTURING COMPANY
PHONE: 519.773.8431 | FAX: 519.773.3794

WARRANTY AND DISCLAIMER: We warrant Akron Brass products for a period of five (5) years after purchase against defects in materials or workmanship. Akron Brass will repair or replace product which fails to satisfy this warranty. Repair or replacement shall be at the discretion of Akron Brass. Products must be promptly returned to Akron Brass for warranty service.

We will not be responsible for: wear and tear; any improper installation, use, maintenance or storage; negligence of the owner or user; repair or modification after delivery; damage; failure to follow our instructions or recommendations; or anything else beyond our control. WE MAKE NO WARRANTIES, EXPRESS OR IMPLIED, OTHER THAN THOSE INCLUDED IN THIS WARRANTY STATEMENT, AND WE DISCLAIM ANY IMPLIED WARRANTY OF MERCHANTABILITY OR FITNESS FOR ANY PARTICULAR PURPOSE. Further, we will not be responsible for any consequential, incidental or indirect damage (included, but not limited to, any loss or profits) from any cause whatsoever. No person has authority to change this warranty.

A Premier Farnell Company

"THE HOSE TESTER" Cart / Handle Assembly Parts Drawings



| ITEM | ASSY. NO. | PART NO. | DESCRIPTION | QTY. |
|------|-----------------|----------|-----------------------------------|------|
| 28 | CART- ASSY | H-628 | 1-1/4" LEG CAPS | 2 |
| 33 | | H-634 | HOSE TESTER CART | 1 |
| 36 | | H-637 | 5/16"-18 x 5/8" BOLTS | 8 |
| 37 | | H-638 | 5/16"-18 HEX NUT | 8 |
| 38 | | H-639 | 5/16" LOCK WASHER | 8 |
| 46 | | H-648 | CASTERS | 2 |
| 62 | | H-666 | 1/4" FLAT WASHER | 8 |
| 47 | HANDLE -ASSY | H-649 | CART HANDLE | 1 |
| 48 | | H-651 | 1/4"-20 x 1-1/2" ROUND HEAD SCREW | 2 |
| 49 | | H-652 | 1/4"-20 NUT W/ LOCK WASHER | 2 |



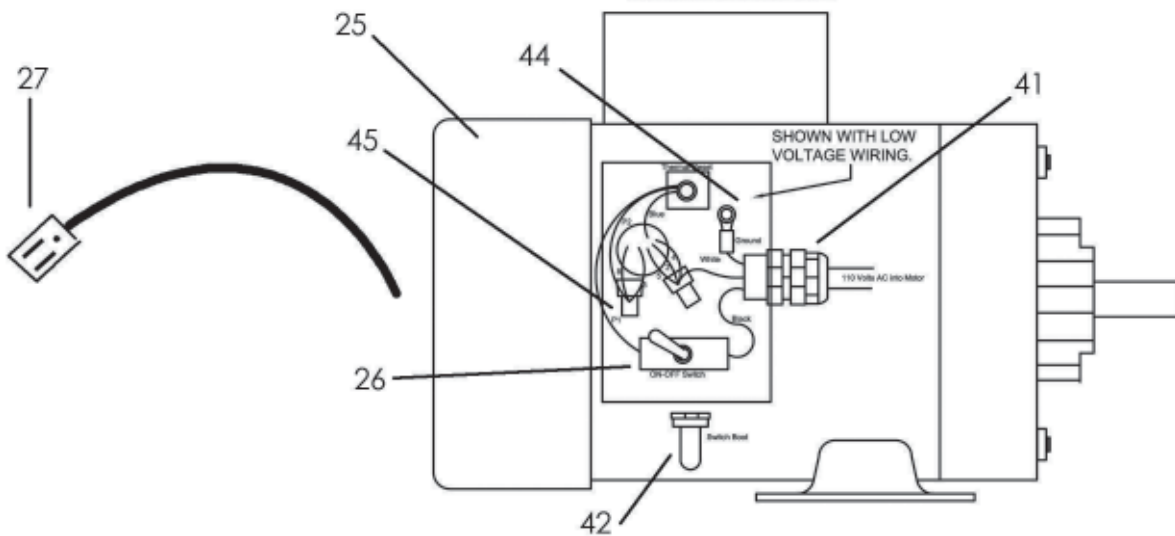
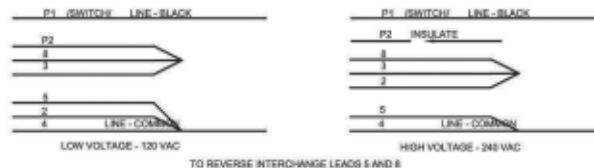
PHONE: 330.264.5678 or 800.228.1161 | FAX: 330.264.2944 or 800.531.7335 | www.akronbrass.com
 Available in Canada through AKRON MANUFACTURING COMPANY
 PHONE: 519.773.8431 | FAX: 519.773.3794

WARRANTY AND DISCLAIMER: We warrant Akron Brass products for a period of five (5) years after purchase against defects in materials or workmanship. Akron Brass will repair or replace product which fails to satisfy this warranty. Repair or replacement shall be at the discretion of Akron Brass. Products must be promptly returned to Akron Brass for warranty service.
 We will not be responsible for: wear and tear; any improper installation, use, maintenance or storage; negligence of the owner or user; repair or modification after delivery; damage; failure to follow our instructions or recommendations; or anything else beyond our control. WE MAKE NO WARRANTIES, EXPRESS OR IMPLIED, OTHER THAN THOSE INCLUDED IN THIS WARRANTY STATEMENT, AND WE DISCLAIM ANY IMPLIED WARRANTY OF MERCHANTABILITY OR FITNESS FOR ANY PARTICULAR PURPOSE. Further, we will not be responsible for any consequential, incidental or indirect damage (included, but not limited to, any loss or profits) from any cause whatsoever. No person has authority to change this warranty.

"THE HOSE TESTER" Motor Assembly Parts Drawings

ONLY ALLOW MOTOR REPAIRS AND/OR REPLACEMENT TO BE DONE
BY A LICENSED ELECTRICIAN.

MOTOR WITH THERMAL PROTECTOR



| ITEM | ASSY. NO. | PART NO. | DESCRIPTION | QTY. |
|------|----------------|----------|---------------------------|------|
| 25 | MOTOR- ASSY | H-625 | 1 H.P. ELECTRIC MOTOR | 1 |
| 26 | | H-626 | ON-OFF SWITCH FOR MOTOR | 1 |
| 27 | | H-627 | GROUND FAULT POWER CORD | 1 |
| 41 | | H-642 | 1/2" LIQUID STRAIN RELIEF | 1 |
| 42 | | H-643 | SWITCH BOOT COVER | 1 |
| 44 | | H-646 | BLUE RING TERMINAL | 2 |
| 45 | | H-647 | END CONNECTOR, 10-12 GA. | 2 |



PHONE: 330.264.5678 or 800.228.1161 | FAX: 330.264.2944 or 800.531.7335 | www.akronbrass.com
Available in Canada through AKRON MANUFACTURING COMPANY

PHONE: 519.773.8431 | FAX: 519.773.3794

WARRANTY AND DISCLAIMER: We warrant Akron Brass products for a period of five (5) years after purchase against defects in materials or workmanship. Akron Brass will repair or replace product which fails to satisfy this warranty. Repair or replacement shall be at the discretion of Akron Brass. Products must be promptly returned to Akron Brass for warranty service.

We will not be responsible for: wear and tear; any improper installation, use, maintenance or storage; negligence of the owner or user; repair or modification after delivery; damage; failure to follow our instructions or recommendations; or anything else beyond our control. WE MAKE NO WARRANTIES, EXPRESS OR IMPLIED, OTHER THAN THOSE INCLUDED IN THIS WARRANTY STATEMENT, AND WE DISCLAIM ANY IMPLIED WARRANTY OF MERCHANTABILITY OR FITNESS FOR ANY PARTICULAR PURPOSE. Further, we will not be responsible for any consequential, incidental or indirect damage (included, but not limited to, any loss or profits) from any cause whatsoever. No person has authority to change this warranty.

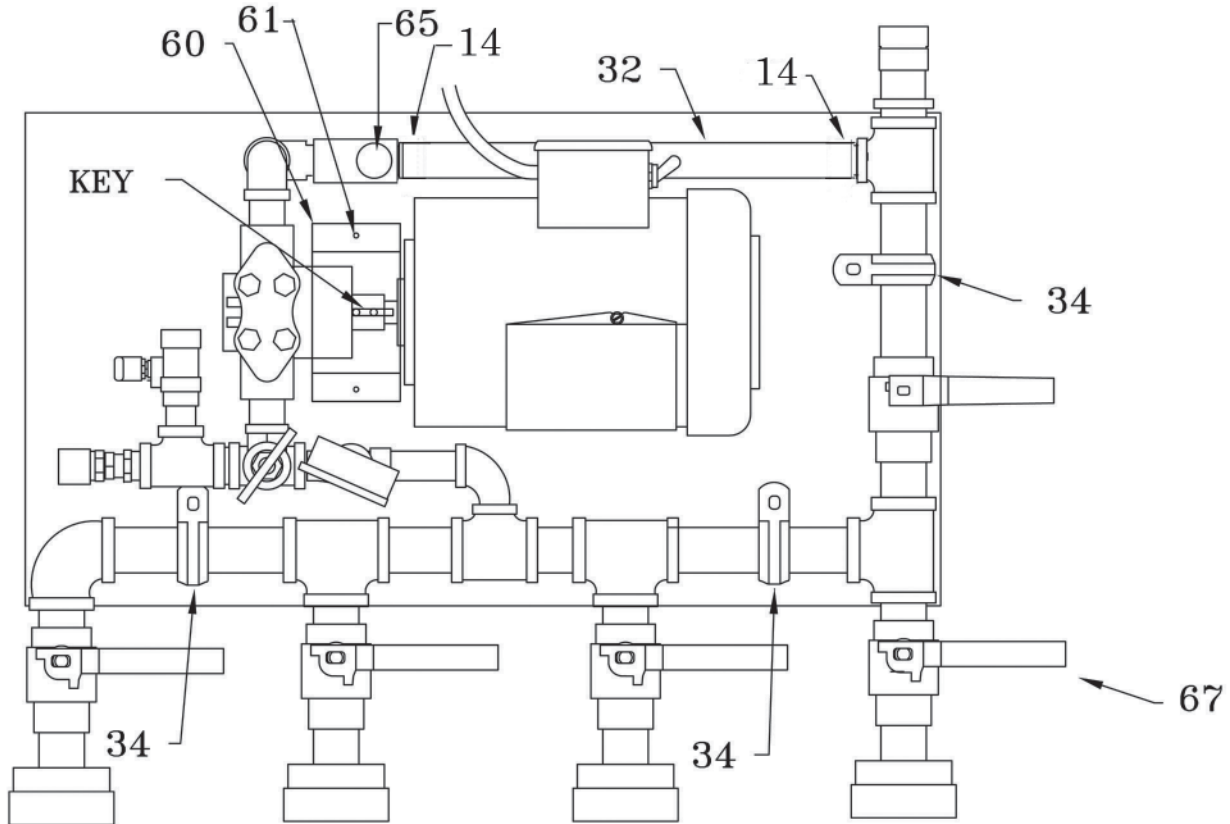
A Premier Farnell Company

"THE HOSE TESTER"

Final Assembly

Parts Drawings

5



| ITEM | ASSY. NO. | PART NO. | DESCRIPTION | QTY. |
|------|-----------|----------|---|------|
| 14 | | H-610 | 1/2" NPT x 1/2" HOSE BARB | 2 |
| 32 | | H-609 | 3/4" x 12" 300 PSI HOSE | 1 |
| 34 | | H-712 | 2" PIPE CLAMP FOR MANIFOLD | 3 |
| 60 | | H-664 | SHEET METAL GUARD | 1 |
| 61 | | H-665 | #8 SELF TAPPING SCREW | 2 |
| 65 | | H-676 | 1/2" SWING CHECK VALVE | 1 |
| 67 | | H-681 | HANDLE COVERS FOR H-709 & H-713 (ITEMS 21 & 22) | 5 |



PHONE: 330.264.5678 or 800.228.1161 | FAX: 330.264.2944 or 800.531.7335 | www.akronbrass.com
 Available in Canada through AKRON MANUFACTURING COMPANY
 PHONE: 519.773.8431 | FAX: 519.773.3794

WARRANTY AND DISCLAIMER: We warrant Akron Brass products for a period of five (5) years after purchase against defects in materials or workmanship. Akron Brass will repair or replace product which fails to satisfy this warranty. Repair or replacement shall be at the discretion of Akron Brass. Products must be promptly returned to Akron Brass for warranty service.

We will not be responsible for: wear and tear; any improper installation, use, maintenance or storage; negligence of the owner or user; repair or modification after delivery; damage; failure to follow our instructions or recommendations; or anything else beyond our control. WE MAKE NO WARRANTIES, EXPRESS OR IMPLIED, OTHER THAN THOSE INCLUDED IN THIS WARRANTY STATEMENT, AND WE DISCLAIM ANY IMPLIED WARRANTY OF MERCHANTABILITY OR FITNESS FOR ANY PARTICULAR PURPOSE. Further, we will not be responsible for any consequential, incidental or indirect damage (included, but not limited to, any loss or profits) from any cause whatsoever. No person has authority to change this warranty.

A Premier Farnell Company

6

"THE HOSE TESTER"

Master Parts List

| ITEM | P/N | DESCRIPTION | QTY. | ITEM | P/N | DESCRIPTION | QTY. |
|------|-------|----------------------------------|------|---------------|-------|---|------|
| 1 | H-601 | 1/2" NPT 90° ELBOW | 1 | 34 | H-712 | 2" PIPE CLAMP FOR MANIFOLD | 3 |
| 2 | H-602 | 1/2" NPT 90° STREET ELBOW | 3 | 36 | H-637 | 5/16"-18 x 5/8" BOLTS | 15 |
| 3 | H-603 | 1/2" NPT UNION | 2 | 37 | H-638 | 5/16"-18 HEX NUT | 15 |
| 4 | H-604 | 1/2" x 1/2" x 1/2" NPT TEE | 5 | 38 | H-639 | 5/16" LOCK WASHER | 15 |
| 5 | H-605 | 1/2" NPT CLOSE NIPPLE | 4 | 39 | H-711 | 1-1/2" F-IPT x 2-1/2" M-NH RGD ADPT | 4 |
| 6 | H-606 | 2-1/2" 1000# PSI FILLED GAUGE | 1 | 41 | H-642 | 1/2" LIQUID STRAIN RELIEF | 1 |
| 7 | H-607 | 1/2" x 3" NPT NIPPLE | 4 | 42 | H-643 | SWITCH BOOT COVER | 1 |
| 8 | H-608 | 1/2" x 4-1/2" NPT NIPPLE | 1 | 44 | H-646 | BLUE RING TERMINAL | 2 |
| 9 | H-612 | 1/2" NPT 90° SS ST ELBOW | 1 | 45 | H-647 | END CONNECTOR, 10-12 GA. | 2 |
| 10 | H-710 | 1-1/2" F-NH x 1-1/2" M-IPT ADPT | 1 | 46 | H-648 | CASTERS | 2 |
| 11 | H-701 | 1-1/2" NPT 90° ELBOW | 1 | 47 | H-649 | CART HANDLE | 1 |
| 12 | H-702 | 1-1/2" x 1-1/2" x 1-1/2" NPT TEE | 3 | 48 | H-651 | 1/4"-20 x 1-1/2" RND HD SCREW | 2 |
| 13 | H-703 | 1-1/2" x 1-1/2" x 1/2" NPT TEE | 2 | 49 | H-652 | 1/4"-20 NUT W/ LOCK WASHER | 2 |
| 14 | H-610 | 1/2" NPT x 1/2" HOSE BARB | 2 | 60 | H-664 | SHEET METAL GUARD | 1 |
| 15 | H-706 | 1-1/2" NPT CLOSE NIPPLE | 10 | 61 | H-665 | #8 SELF TAPPING SCREW | 2 |
| 16 | H-708 | 1-1/2" x 2" NPT NIPPLE | 1 | 62 | H-666 | 1/4" FLAT WASHER | 15 |
| 17 | H-707 | 1-1/2" x 4-1/2" NPT NIPPLE | 1 | 63 | H-671 | HANDLE COVER FOR H-630 | 1 |
| 18 | H-705 | 1-1/2" x 5" NPT NIPPLE | 2 | 64 | H-672 | NON-INSULATED FORK TERM | 1 |
| 19 | H-619 | 1/2" x 1/4" NPT BUSHING | 1 | 65 | H-676 | 1/2" SWING CHECK VALVE | 1 |
| 20 | H-620 | 1/2" x 3/8" NPT BUSHING | 2 | 66 | H-677 | 3/8" PLUG (STANDARD - SENT WHEN NO WAND IS ORDERED) | 1 |
| 21 | H-709 | 1-1/2" BALL VALVE (STD PORT) | 1 | 67 | H-681 | HANDLE COVERS FOR H-709 & H-713 | 5 |
| 22 | H-713 | 1-1/2" BALL VALVE (FULL PORT) | 4 | | | | |
| 23 | H-623 | HYPRO PUMP | 1 | | | | |
| 24 | H-624 | 1/2" PRESSURE RELIEF VALVE | 1 | | | | |
| 25 | H-625 | 1 H.P. ELECTRIC MOTOR | 1 | <i>WW-1</i> | | <i>OPTIONAL WASHER WAND</i> | |
| 26 | H-626 | ON-OFF SWITCH FOR MOTOR | 1 | 50 | H-654 | 50' OF 3/8" HI-PRESSURE HOSE | 1 |
| 27 | H-627 | GROUND FAULT POWER CORD | 1 | 51 | H-655 | TRIGGER GUN | 1 |
| 28 | H-628 | 1-1/4" LEG CAPS | 2 | 52 | H-656 | HI-LOW ADJUSTABLE NOZZLE | 1 |
| 29 | H-629 | 1/2" x 1-1/2" NPT NIPPLE | 4 | 53 | H-657 | 1/4" NOZZLE TIP | 1 |
| 30 | H-630 | 1/2" BALL VALVE | 1 | 54 | H-658 | WAX/SOAP INJECTOR | 1 |
| 31 | H-631 | 3/8" QUICK CONNECT (OPT) | 1 | 55 | H-659 | WAND, 24" LONG | 1 |
| 32 | H-609 | 3/4" x 12" 300 PSI HOSE | 1 | 56 | H-660 | FILTER FOR WAX/SOAP LINE | 1 |
| 33 | H-634 | HOSE TESTER CART | 1 | 57 | H-661 | 1/4" x 36" PICK-UP TUBING | 1 |
| | | | | 58 | H-662 | 3/8" MALE QUICK COUPLING | 1 |
| | | | | <i>HT-4GH</i> | | <i>OPTIONAL GARDEN HOSE ADPT</i> | |

THE ABOVE PARTS ARE USED IN THE ASSEMBLY OF THE HOSE TESTER.
REPLACEMENT PARTS SHOULD BE ORDERED BY THE PART NUMBER.

**** ANY SHORTAGES FOUND MUST BE REPORTED IMMEDIATELY UPON RECEIPT. ALL CLAIMS FOR MISSING PARTS MUST BE MADE WITHIN 7 DAYS. ****

ALL DEFECTIVE PARTS MUST BE RETURNED PREPAID BEFORE WARRANTY REPLACEMENT PARTS ARE SHIPPED BY **AKRON BRASS CO.**

04/05



PHONE: 330.264.5678 or 800.228.1161 | FAX: 330.264.2944 or 800.531.7335 | www.akronbrass.com
Available in Canada through AKRON MANUFACTURING COMPANY
PHONE: 519.773.8431 | FAX: 519.773.3794

WARRANTY AND DISCLAIMER: We warrant Akron Brass products for a period of five (5) years after purchase against defects in materials or workmanship. Akron Brass will repair or replace product which fails to satisfy this warranty. Repair or replacement shall be at the discretion of Akron Brass. Products must be promptly returned to Akron Brass for warranty service.

We will not be responsible for: wear and tear; any improper installation, use, maintenance or storage; negligence of the owner or user; repair or modification after delivery; damage; failure to follow our instructions or recommendations; or anything else beyond our control. WE MAKE NO WARRANTIES, EXPRESS OR IMPLIED, OTHER THAN THOSE INCLUDED IN THIS WARRANTY STATEMENT, AND WE DISCLAIM ANY IMPLIED WARRANTY OF MERCHANTABILITY OR FITNESS FOR ANY PARTICULAR PURPOSE. Further, we will not be responsible for any consequential, incidental or indirect damage (included, but not limited to, any loss or profits) from any cause whatsoever. No person has authority to change this warranty.

A Premier Farnell Company